

Quadro



Features

- High reliability LEDs
- Additional internal component sealing
- Non flicker
- High quality ENEC certified driver
- High quality aluminum body
- Instant start
- Optional DIM: Dali system power supply, 1-10V
- Optional: EMERGENCY battery ~2h
- Microprism diffuser
- Documents: CE, RoHS, EMC, test report



Available types

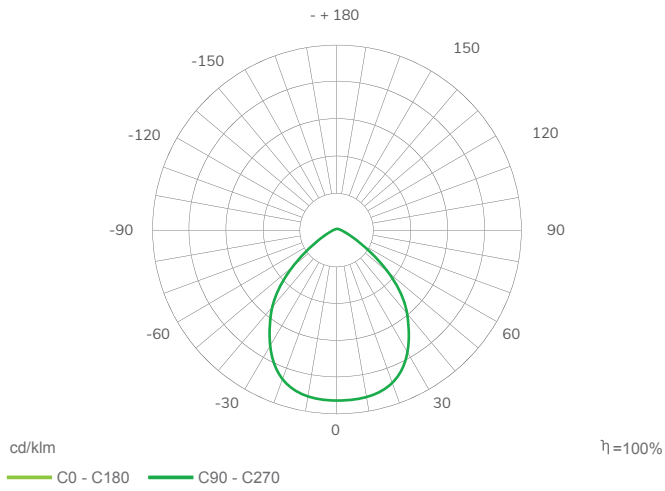
Product Item	Color temperature, K
LCL-60x60-28W-3000K (UGR) DH	3000 K
LCL-60x60-28W-4000K (UGR) DH	4000 K

Technical specification

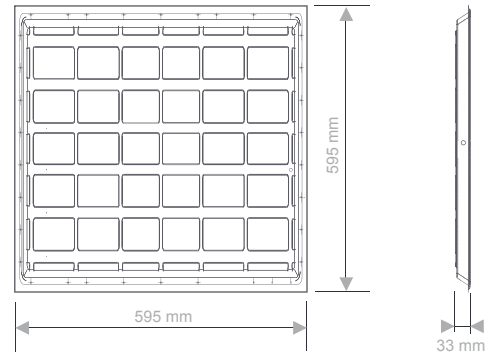
Body color	White
Dimensions	595 x 595 x 33 mm
LED driver	AGT-I786F-0620 Ripple free, ENEC, 620mA DC45V
Power consumption	28 W
Luminous efficacy	160 lm/W



Light curves



Technical drawing



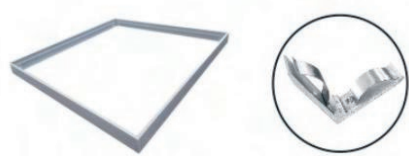
Mounting Options



Springs



Suspended mounting kit (2 meters)



Surface mounting frame with metal connector

Screwless assembly

